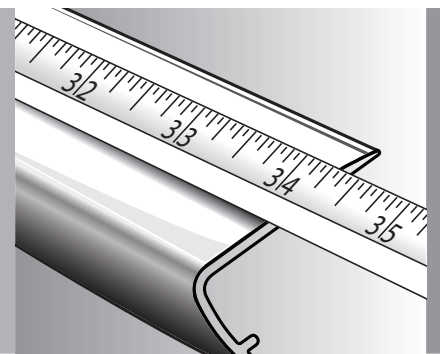


# Stair Nose for LVT<sup>®</sup>

Finishes the end of a step.

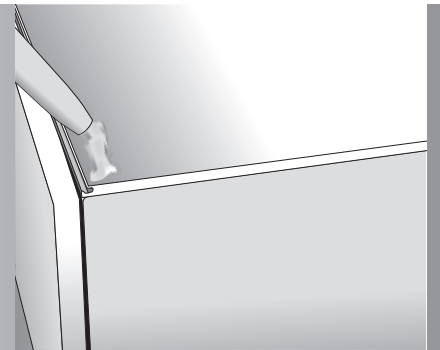
## STEP 1

Measure and trim to fit.



## STEP 2

Apply construction adhesive to subfloor



## STEP 3

Push moulding onto subfloor.  
Secure with finishing nails.

