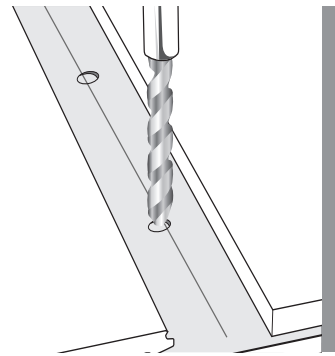


Universal Trim for LVTTM

Transition adjusts to varying levels

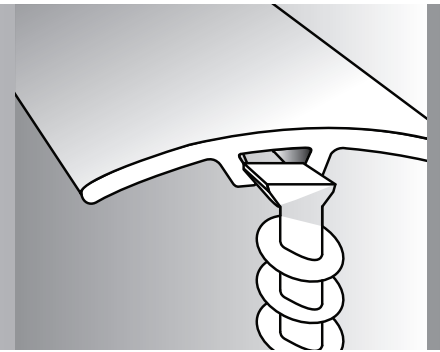
STEP 1

Draw a line 3/8" from floor's edge. Drill 1/4" holes along line (approx. 15" apart)



STEP 2

Slide plugs into slot on moulding. Align with pre-drilled holes.



STEP 3

Tap down moulding to required level using a rubber mallet.

